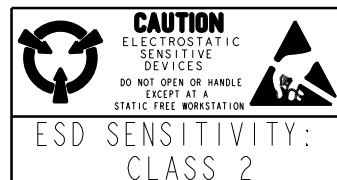
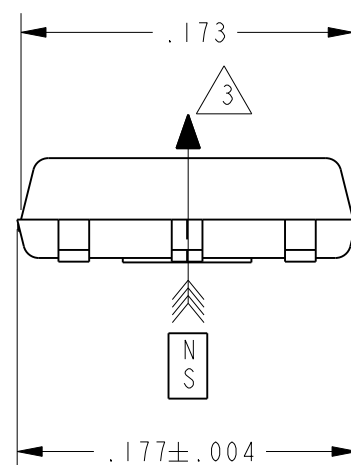
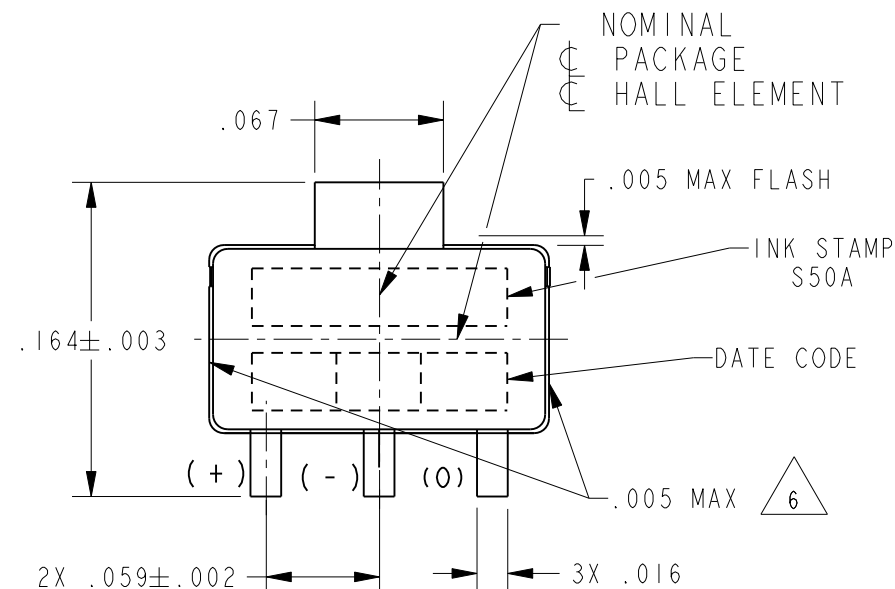
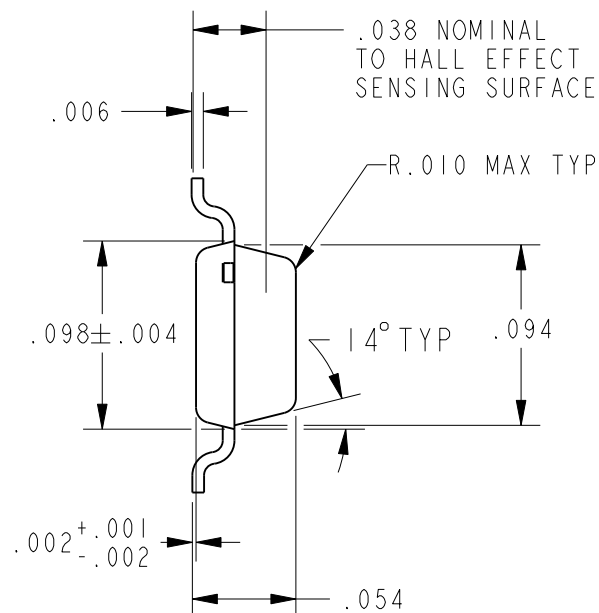


HONEYWELL
PART NUMBER

REV	DOCUMENT	CHANGED BY	CHECK
C	0048309	MBN 30JAN09	RS



CONVERSION TO METRIC DIMENSIONS

DIMENSION IN INCHES	METRIC REFERENCE EQUIVALENT, MM	DIMENSION IN INCHES	METRIC REFERENCE EQUIVALENT, MM
.001	0,025	.095	2,413
.002	0,051	.098	2,489
.003	0,076	.157	3,988
.004	0,102	.164	4,166
.005	0,127	.173	4,394
.006	0,152	.177	4,496
.007	0,178	.181	4,597
.008	0,203	.197	5,004
.015	0,381	.217	5,512
.016	0,406	.230	5,842
.030	0,762	.314	7,976
.031	0,787	.315	8,001
.038	0,965	.472	11,989
.050	1,270	.480	12,192
.059	1,499	.512	13,005
.067	1,702	.724	18,390
.069	1,753	1.300	33,020
.078	1,981	1.970	50,038
.079	2,007	7.010	178,054
.094	2,388	10.000	254,000

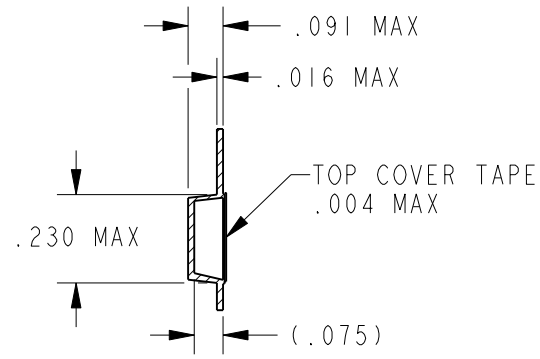
NOTES

- 1 - SOLDERING INSTRUCTIONS: EXPOSURE TO HIGH TEMPERATURES SHOULD BE KEPT AT A MINIMUM HONEYWELL RECOMMENDS AN INFRARED REFLOW PROCESS WITH PEAK TEMPERATURES NOT EXCEEDING 245°C FOR 10 SECONDS MAXIMUM. DO NOT WAVE SOLDER THIS PRODUCT, AS THIS PROCESS MAY NEGATIVELY AFFECT THE SENSOR'S PERFORMANCE AND RELIABILITY. SUBJECTING THESE PRODUCTS TO WAVE SOLDERING WILL VOID MICRO SWITCH'S WARRANTY
- 2 ABSOLUTE MAXIMUM RATINGS ARE THE EXTREME LIMITS THE DEVICE WILL MOMENTARILY WITHSTAND WITHOUT DAMAGE TO THE DEVICE. ELECTRICAL AND MAGNETIC CHARACTERISTICS ARE NOT GUARANTEED IF THE SPECIFIED VOLTAGE AND/OR CURRENTS ARE EXCEEDED NOR WILL THE DEVICE NECESSARILY OPERATE AT ABSOLUTE MAXIMUM RATING
- 3 THE MAGNETIC FLUX USED TO OPERATE THE SWITCH MUST BE IN THE DIRECTION AND LOCATION SHOWN. (THIS ASSUMES THE CONVENTION THAT THE DIRECTION OF THE EXTERNAL FLUX OF A MAGNET IS FROM THE NORTH TO THE SOUTH POLE OF THE MAGNET)
- 4 THE MAGNETIC FIELD STRENGTH (GAUSS) REQUIRED TO CAUSE THE SWITCH TO CHANGE STATE (OPERATE AND RELEASE) WILL BE AS SPECIFIED IN THE MAGNETIC CHARACTERISTICS. TO TEST THE SWITCH AGAINST THE SPECIFIED MAGNETIC CHARACTERISTICS, THE SWITCH MUST BE PLACED IN A UNIFORM MAGNETIC FIELD
- 5 THIS PRODUCT WILL BE SUPPLIED IN TAPE AND REEL FORM PER EIA STD 481
- 6 GATE VESAGE PERMITTED IN THESE AREAS. UNDERFLUSH BREAKOUT LIMITED TO .007
- 7 THESE HALL EFFECT SENSORS MAY HAVE AN INITIAL OUTPUT IN EITHER THE ON OR OFF STATE IF POWERED UP WITH AN APPLIED MAGNETIC FIELD IN THE DIFFERENTIAL ZONE (APPLIED MAGNETIC FIELD > Brp AND < Bop). HONEYWELL RECOMMENDS THAT THE APPLICATION CIRCUIT DESIGNER ALLOW 10 MICROSECONDS AFTER SUPPLY VOLTAGE HAS REACHED 5 VOLTS FOR THE OUTPUT VOLTAGE TO STABILIZE

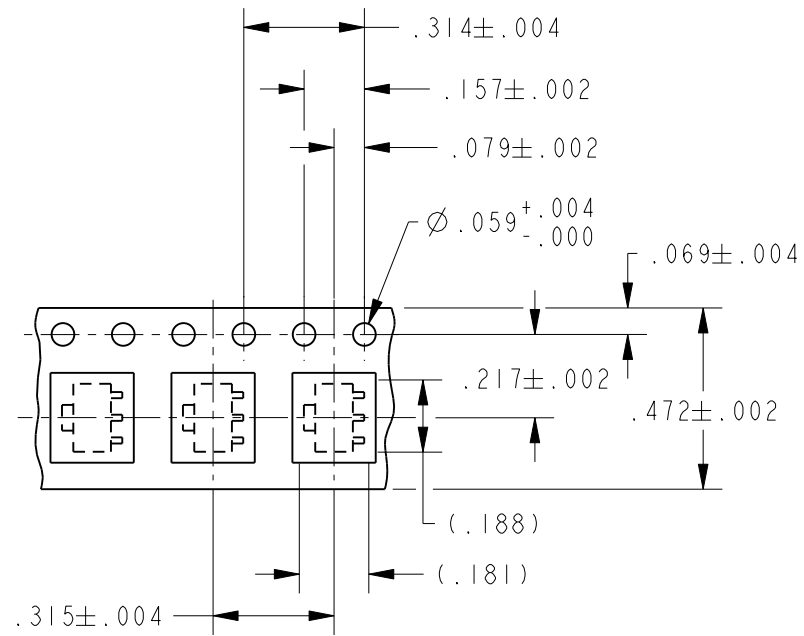
DESIGN UNITS: INCH		
TOLERANCES UNLESS NOTED:		
NO PLACES	X	±
ONE PLACE	.X	±
TWO PLACE	.XX	±
THREE PLACE	.XXX	±
ANGLES	X	±
THIRD ANGLE PROJECTION		

DRAWN	CVS	24MAR03
CHECK	DGD	18JAN06
THIS DRAWING COVERS A PROPRIETARY ITEM AND IS THE PROPERTY OF HONEYWELL. THIS DRAWING IS NOT TO BE COPIED OR USED WITHOUT THE PERMISSION OF HONEYWELL.		
INTERPRET PER ANSI Y14.5M-1982 OTHER HONEYWELL ENGINEERING STANDARDS MAY APPLY		
Pro/ENGINEER		3D

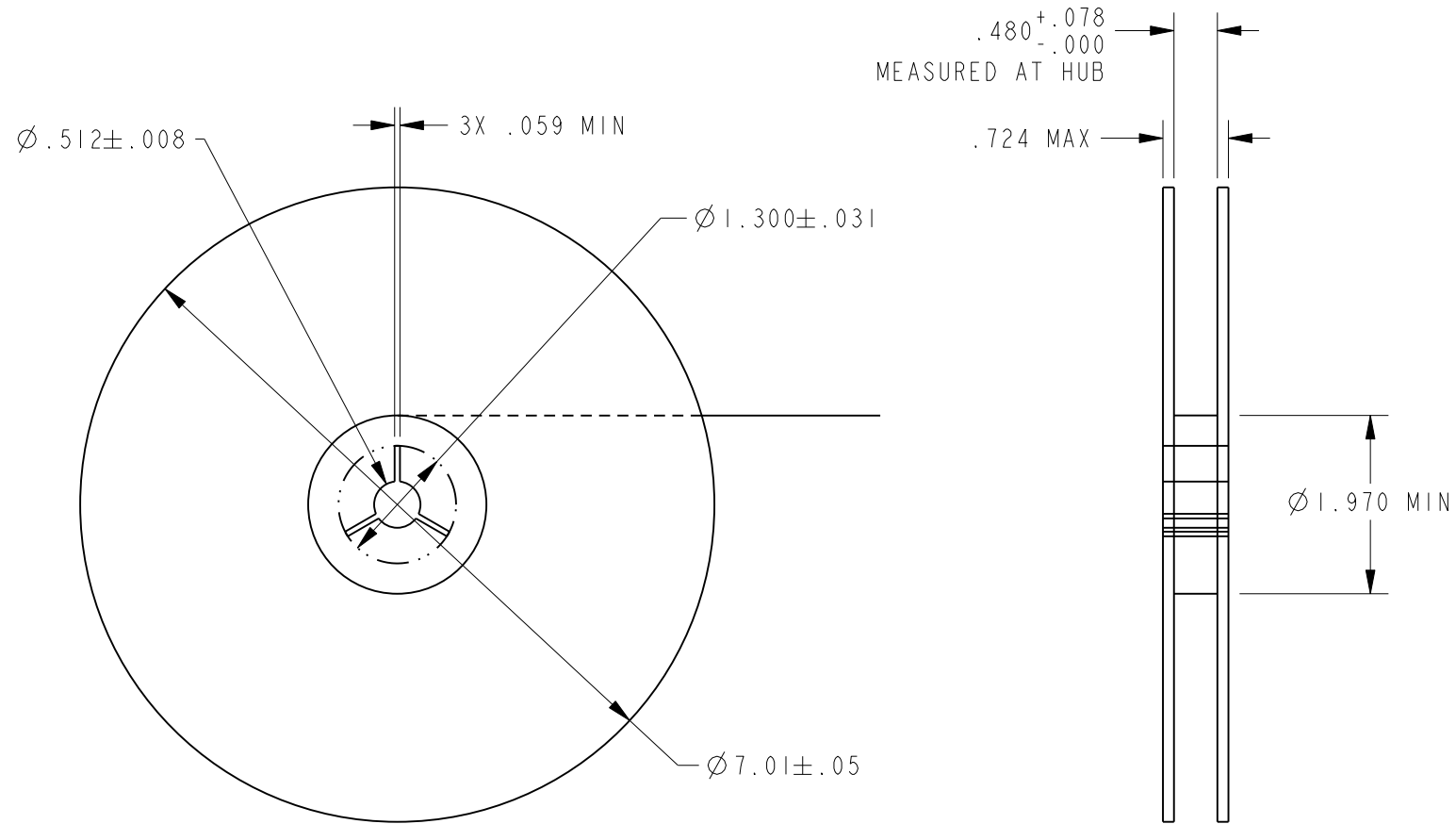
Honeywell				
TITLE SOLID STATE SENSOR				
SIZE	TYPE	CAGE CODE	DRAWING NAME	REV
B	I	-	SS50AT	C
SCALE NONE		SHEET 1 OF 3		



SECTION A-A



TAPE AND REEL DIMENSIONS 5



DIRECTION OF FEED FROM REEL

CAUTION
ELECTROSTATIC SENSITIVE DEVICES
DO NOT OPEN OR HANDLE EXCEPT AT A STATIC FREE WORKSTATION

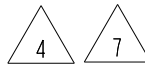
ESD SENSITIVITY:
CLASS 2

THIS DRAWING COVERS A PROPRIETARY ITEM AND IS THE PROPERTY OF HONEYWELL. THIS DRAWING IS NOT TO BE COPIED OR USED WITHOUT THE PERMISSION OF HONEYWELL.

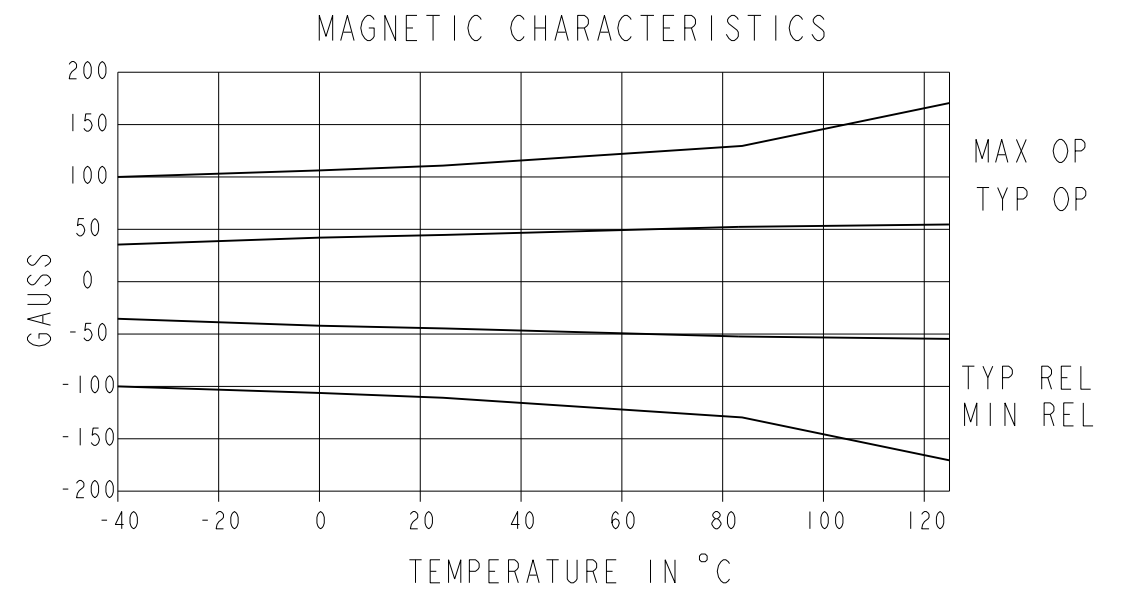
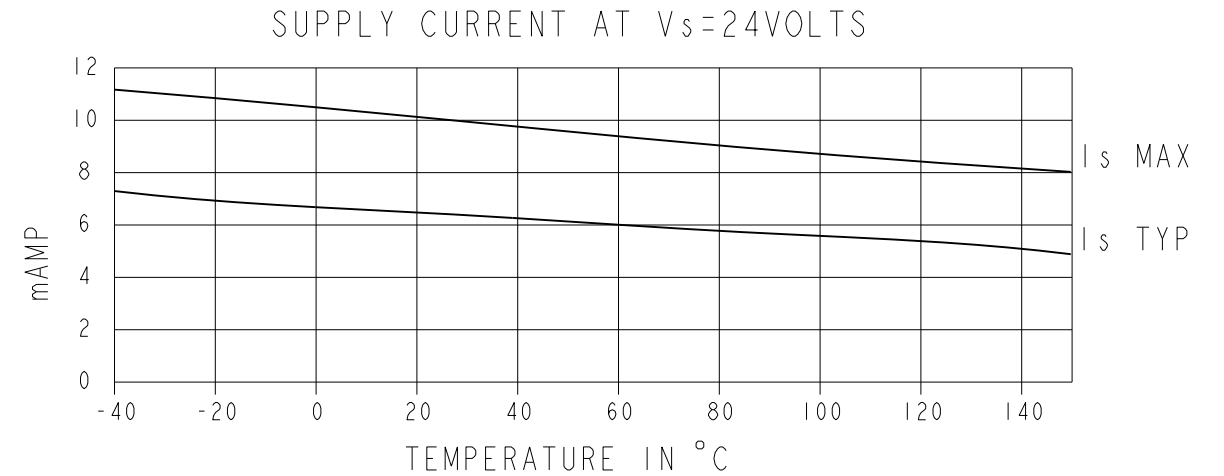
Honeywell

SIZE	TYPE	CAGE CODE	DRAWING NAME	REV
B	I	-	SS50AT	C
SCALE NONE			SHEET	2 OF 3

CHARACTERISTICS ARE AT $V_s=4.5$ TO 24 VOLTS WITH 20mA LOAD WITH
 $T_A=-40^{\circ}\text{C}$ TO $+125^{\circ}\text{C}$ UNLESS OTHERWISE NOTED



PARAMETER	CONDITIONS	MIN	TYP	MAX	UNITS
SUPPLY VOLTAGE		4.5		24.0	VOLTS
SUPPLY CURRENT	25°C		6.8	10.0	mA
SUPPLY CURRENT				11.3	mA
OUTPUT CURRENT				20.0	mA
V_{sat} AT 15mA	GAUSS > 170			0.4	VOLTS
OUTPUT LEAKAGE	GAUSS < -170			10.0	μA
RISE TIME	25°C		0.5	1.5	μS
FALL TIME	25°C		0.2	1.5	μS
RESPONSE TIME	25°C		4.0	5.0	μS
MAX OPERATE	25°C		45	110	GAUSS
MAX OPERATE	-40°C TO 85°C		50	130	GAUSS
MAX OPERATE			55	170	GAUSS
MIN RELEASE	25°C	-110	-45		GAUSS
MIN RELEASE	-40°C TO 85°C	-130	-50		GAUSS
MIN RELEASE		-170	-55		GAUSS
MIN DIFFERENTIAL		50			GAUSS
OPERATING TEMP		-40		+125	°C
STORAGE TEMP		-55		+165	°C

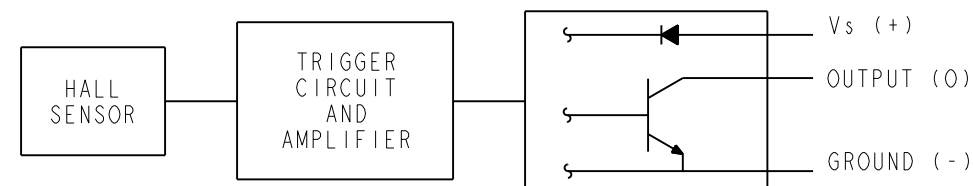


ABSOLUTE MAXIMUM RATINGS



PARAMETER	CONDITIONS	MIN	TYP	MAX	UNITS
SUPPLY VOLTAGE		-28		28	VOLTS
APPLIED OUTPUT VOLTAGE		-0.5		28	VOLTS
OUTPUT CURRENT				20	mA
MAGNETIC FLUX				NO LIMIT	GAUSS

BLOCK DIAGRAM CURRENT SINKING OUTPUT



THIS DRAWING COVERS A PROPRIETARY ITEM AND IS THE PROPERTY OF HONEYWELL. THIS DRAWING IS NOT TO BE COPIED OR USED WITHOUT THE PERMISSION OF HONEYWELL.

Honeywell

SIZE	TYPE	CAGE CODE	DRAWING NAME	REV
B	I	-	SS50AT	C
SCALE NONE			SHEET 3 OF 3	